

LM2150

Spare parts

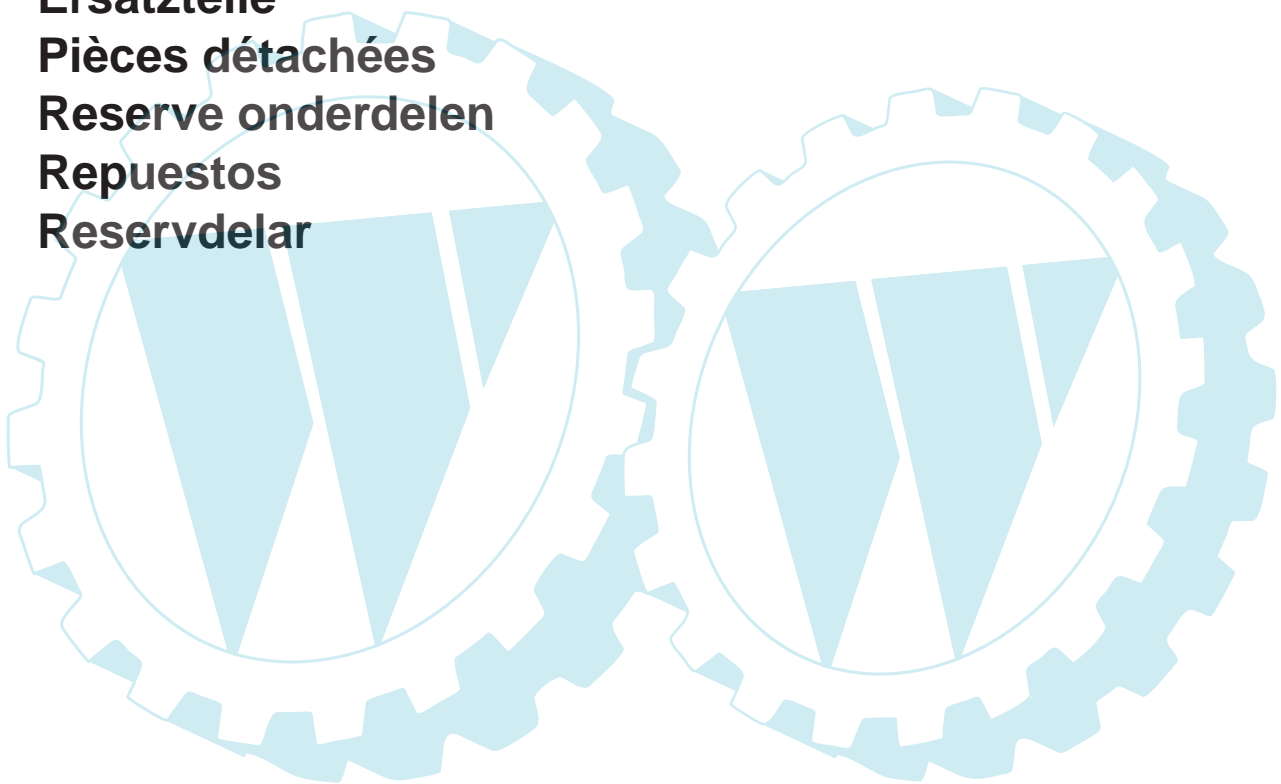
Ersatzteile

Pièces détachées

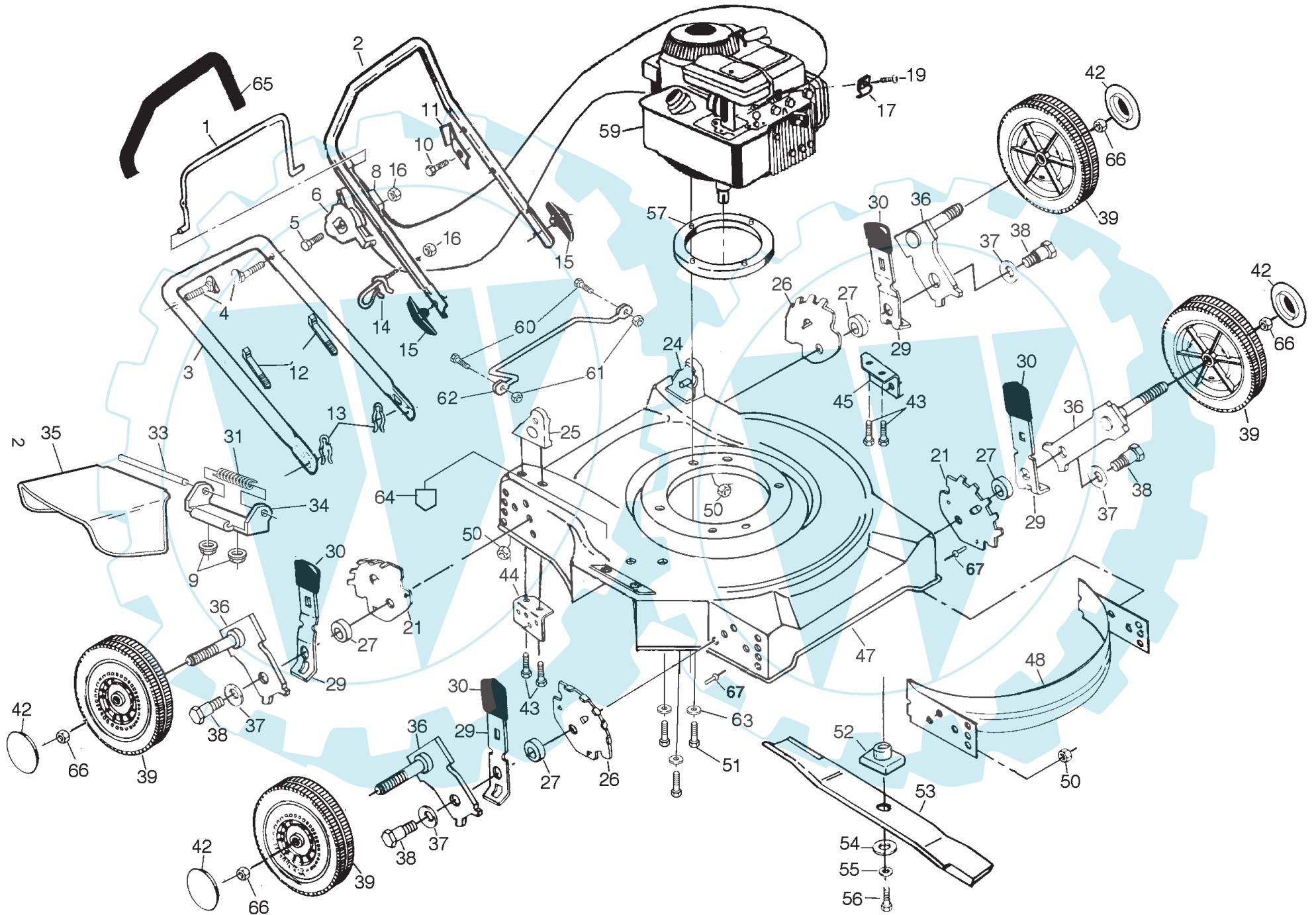
Reserve onderdelen

Repuestos

Reservdelar



ROTARY LAWN MOWER - - MODEL NUMBER LM2150 (J2150A) PRODUCT NUMBER 954 13 00-97



ROTARY LAWN MOWER - - MODEL NUMBER LM2150 (J2150A) PRODUCT NUMBER 954 13 00-97

KEY NO.	PART NO.	DESCRIPTION
1	532 13 10-36	Control Bar
2	532 16 71-63	Upper Handle
3	532 15 50-44	Lower Handle
4	532 13 19-59	Handle Bolt 5/16-18 x 3/4
5	532 14 49-29	Pan Head Machine Screw 1/4-20 x 2.12
6	532 18 21-56	Throttle Control
8	532 13 08-61	Engine Zone Control Cable
9	532 06 36-01	Locknut 1/4-20
10	532 75 06-34	Hex Washer Head Screw #10-24 x 1/2
11	532 12 51-62	Up-Stop Bracket
12	532 06 64-26	Wire Tie
13	532 05 17-93	Hairpin Cotter
14	532 17 95-85	Rope Guide
15	532 13 63-76	Handle Knob
16	532 13 20-04	Nut, Hex 1/4-20
17	532 11 11-90	Cable Clamp
19	532 08 38-16	Thread Rolling Screw #10-32 x 5/8
21	532 14 08-36	Wheel Adjuster Bracket (LF/RR)
24	532 17 09-77	Handle Bracket Assembly (Left)
25	532 17 09-75	Handle Bracket Assembly (Right)
26	532 14 09-96	Wheel Adjuster Bracket (RF/LR)
27	532 14 66-30	Spacer
29	532 14 17-30	Selector Spring
30	532 08 78-77	Selector Knob
31	532 08 75-89	Torsion Spring
33	532 14 72-86	Hinge Rod
34	532 08 75-93	Housing Bracket
35	532 75 01-49	Discharge Guard Assembly
36	532 14 98-57	Axle Arm Assembly
37	532 06 23-35	Belleville Washer 1/2
38	532 14 27-48	Shoulder Bolt 3/8-16

KEY NO.	PART NO.	DESCRIPTION
39	532 14 84-36	Wheel & Tire Assembly
42	532 07 74-00	Hubcap
43	532 14 97-41	Screw 5/16-18 x 3/4
44	532 18 03-20	Handle Support Bracket (Right)
45	532 18 03-19	Handle Support Bracket (Left)
47	532 18 18-36	Lawn Mower Housing
48	532 14 60-26	Front Baffle
--	532 12 50-46	Rear Baffle (Not Shown)
50	532 75 15-92	Locknut 3/8-16
51	532 85 09-99	Hex Head Tread Rolling Screw 3/8-16 x 1
52	532 85 09-77	Blade Adapter
53	532 85 09-72	20" Blade
54	532 85 10-74	Hardened Washer
55	532 85 02-63	Helical Lockwasher 3/8
56	532 85 10-84	Hex Head Screw 3/8-24 x 1 Grade 8
57	532 70 13-13	Spacer
59	--	Engine - Briggs & Stratton Model No. 9D902 Order parts from engine manufacturer
60	532 08 58-25	Hex Washer Head Screw 10-24 x 1
61	532 06 91-80	Nut Hex Lk. Washer #10-24
62	532 15 41-47	Footguard
63	532 05 39-98	Washer
64	532 18 21-66	Warning Decal
65	532 16 42-65	Handle Grip
66	532 08 39-23	Nut
67	532 12 84-15	Pop Rivet
--	532 18 65-88	Operators Manual, European
--	532 18 65-89	Operators Manual, Scandinavian

NOTE: All component dimensions given in U.S. inches.
1 inch = 25.4 mm